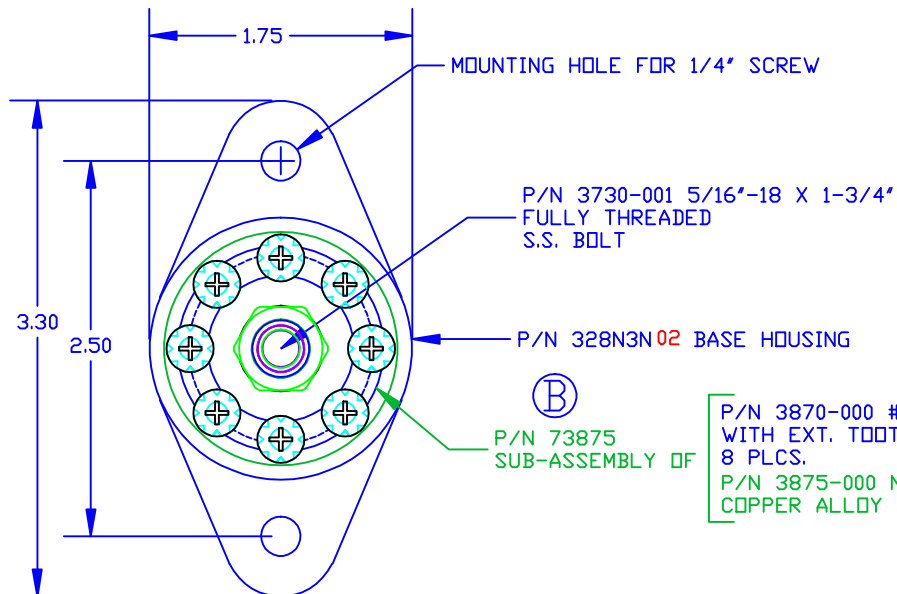
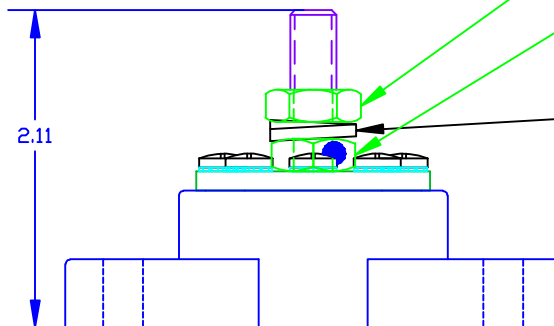
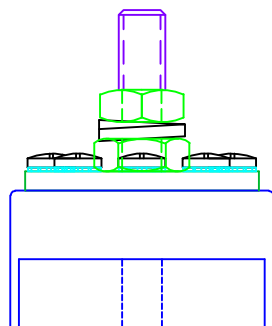


THE INFORMATION CONTAINED IN THIS DRAWING IS THE SOLE PROPERTY OF VTE INCORPORATED. ANY REPRODUCTION IN PART OR WHOLE WITHOUT THE WRITTEN PERMISSION OF VTE INCORPORATED IS PROHIBITED.

LTR.	REVISIONS	DATE
△	3843-001 WAS 3843-000	10OCT06
B	ADDED SUB-ASSEMBLY P/N 73875	11OCT06



DO NOT SCALE




P/N 329N0V02 CAVITY PLUG (NOT SHOWN)

- P/N 3870-000 #8-32 x 5/16" PAN PHILLIPS SEMS WITH EXT. TOOTH WASHER STAINLESS 8 PLCS.
P/N 3875-000 NICKEL PLATED COPPER ALLOY CONTACT PLATE
- P/N 3843-001 5/16"-18 SS HEAVY HEX JAM NUT (A)
- P/N 3843-000 5/16"-18 TIN PLATED BRASS HEAVY HEX JAM NUT BOTTOM NUT FACTORY ASSEMBLED TO 12 FT./LBS. (144 IN./LBS.)
- P/N 3642-000 5/16" S.S. SPRING LOCK WASHER

TOLERANCE UNLESS OTHERWISE SPECIFIED: ±.030"/±0.8mm
RADIAL DIAMETERS TO BE MEASURED OVER MANDRELS, RING GAGES OR PIN GAGES OF SUITABLE SIZE

BASE MATERIAL: GLASS-REINFORCED NYLON
 BASE MATERIAL U.L. RATING: 94 HB
 BUS MATERIAL: NICKEL PLATED COPPER ALLOY
 VOLTAGE RATING: 48 VOLTS DC MAX.
 BUS AMPERAGE RATING: 160 AMPS DC (8 X 20 AMP CIRCUITS)
 TEMPERATURE RISE AT LOAD: 27.9 DEG. C. (52 DEG. F.)
 RECOMMENDED MAXIMUM TORQUE: 10 FT./LBS. (120 IN./LBS.)



VTE Incorporated
 5437 Robinson Road, P.O. Box 790
 Pellston, Michigan 49769
 Telephone: 1-800-527-9256, 231-539-8000
 FAX: 231-539-0914

REF: *****	DATE: 09APR03	DRN BY: BRH	WEIGHT: *****
		CHK'D BY: BRH	
TITLE: 5/16" POWER DISTRIBUTION POST			SCALE:
MATERIAL: NOTED		PART NO.	
COLOR: RED		77831N02	
DRG CLASS *****			