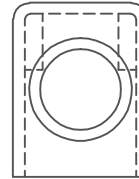
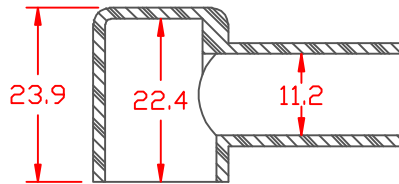


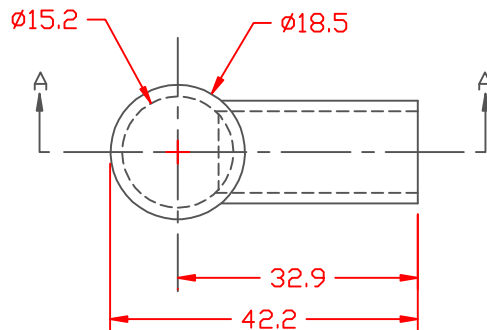
PROPRIETARY RIGHTS ARE CLAIMED FOR THE MATERIAL DISCLOSED IN THIS DRAWING.

LTR.	REVISIONS	DATE
✖	*****	00-00-98

TYP. WALL THICKNESS = 1.5



SECTION A-A



VTE Material Part No:	1101650114
Material:	BLACK PVC
Material Part No	9812-65
Max. Operating Temp:	105 C
Shore Durometer	"A" 10 SEC. 67/63
Specific Gravity:	1.33
Ult. Elongation %:	520
Brittle Temp:	-36 C
Tensile Strength PSI:	1563 PSI
Dielectric Strength, v./ml	540
U.L. Rating:	94 V2
MEETS:	FMVSS.302

TOLERANCE UNLESS OTHERWISE SPECIFIED: ± 0.30 / ± 0.8 mm
 RADIAL DIAMETERS TO BE MEASURED OVER MANDRELS,
 RING GAGES OR PIN GAGES OF SUITABLE SIZE

	VTE Incorporated 5437 Robinson Road, P.O. Box 790 Pellston, Michigan 49769 Telephone: 1-800-527-9256, 231-539-8000 FAX: 231-539-0914
--	---

REF:	DATE: 3-26-98	DRN BY: JC CHK'D BY:	WEIGHT: .012 LBS. / 5.3 G.
------	------------------	-------------------------	-------------------------------

TITLE: **STARTER BOOT**

MATERIAL:	PART NO. 400N9V14
COLOR:	DRG CLASS

